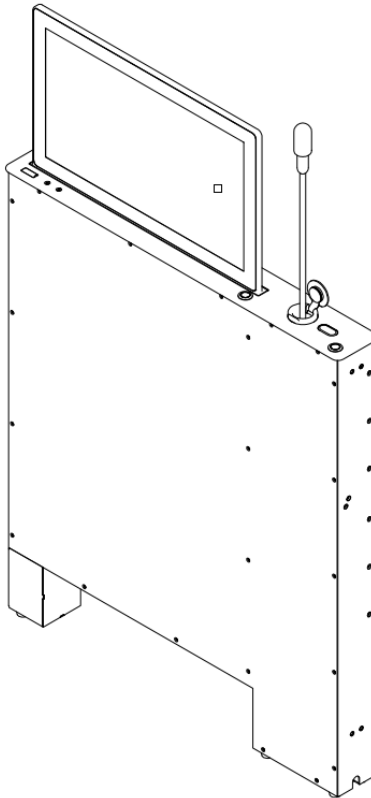


**Motorized Retractable Monitor lift with
Microphone
LS17RM
user manual**



Read the instructions carefully before using the device



warning

In order to make sure the device is working properly, please follow below instructions:

a. If found any abnormal situation, please cut off the power, pull off the plug and contact your supplier. To avoid any fire accident, DON'T use device in following situations:

- If you found peculiar smell or fog comes from inside of unit.
- If have water or metal parts going to the unit.
- If the lift unit box is broken.
- If the wire is broken inside.

b. As the device is high pressure inside, please DON'T open the unit box at random to avoid fire or electric shock,.

c. DON'T put any conducting liquid on top of the device, to avoid electric shock or fire.

d. The device is I type; the power should be connected to ground.

e. The device is suitable for AC 220V 50Hz.

f. DO NOT place the machine in the direct sunlight area, avoid causing high temperature, circuit board short circuit, fire or electric shock.

g. When the product is lifted, no heavy objects shall be placed on the top panel, which may easily cause excessive lifting load and affect the service life of the equipment.

h. To avoid damage to the equipment, please install the fastening screws of the device and pull off power plug and other cables before

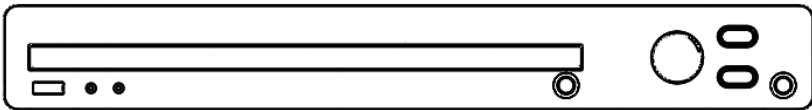
moving it, and remove the fastening screws before connecting the power again.



1. Operation instructions



1.1 packing list

NO.	description	Remark
1	Monitor lift	1set
2	Power plug	1pcs
3	RS-485 cable	1pcs
4	User manual	1set

1.2 Interface on the top panel (from left to right, for Bosch)



-  control the movement of monitor
-  microphone switch control

No.	Symbol	function
1		Speech button
2		Prior button for president position

1.3 Interface on the bottom case (from left to right)






- AC 220V input

- ANT Remote control (optional)
- Spare: PC SW power on; SA SW signal switch
- RS485 in (1: RS-485 +, 2: RS-485 -, 5: GND)
- RS485 out (use for cluster control)
- USB input, up: USB data, down: USB touch
- VGA in (optional)
- HDMI in

1.4 Introduction to Manipulation

Display button :



- LED: indicated light, NO SIGNAL: the light is red,
WITH SIGNAL: Light is green。
-  : display power on/off
-  : Variable Button(-)
-  : Variable Button(+)
- AUTO: Automatic adjustment button and have return function.
- MENU

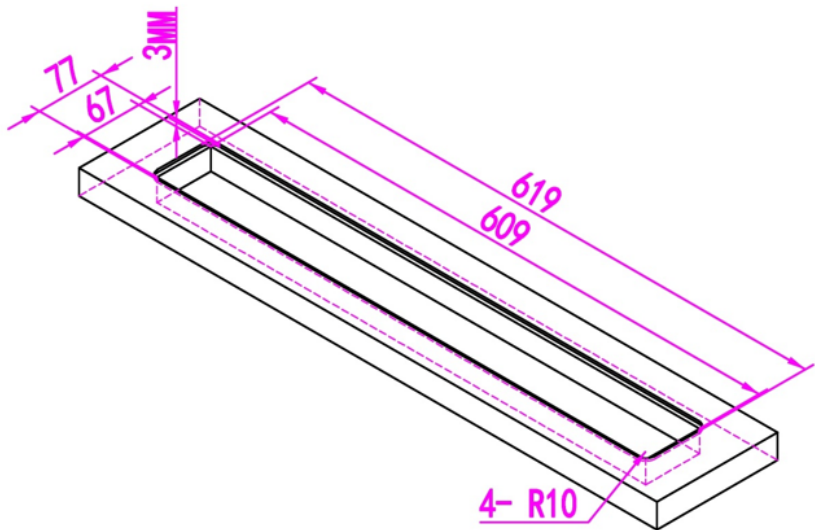
2. Characteristics and main parameters

2.1 Structural and functional characteristics

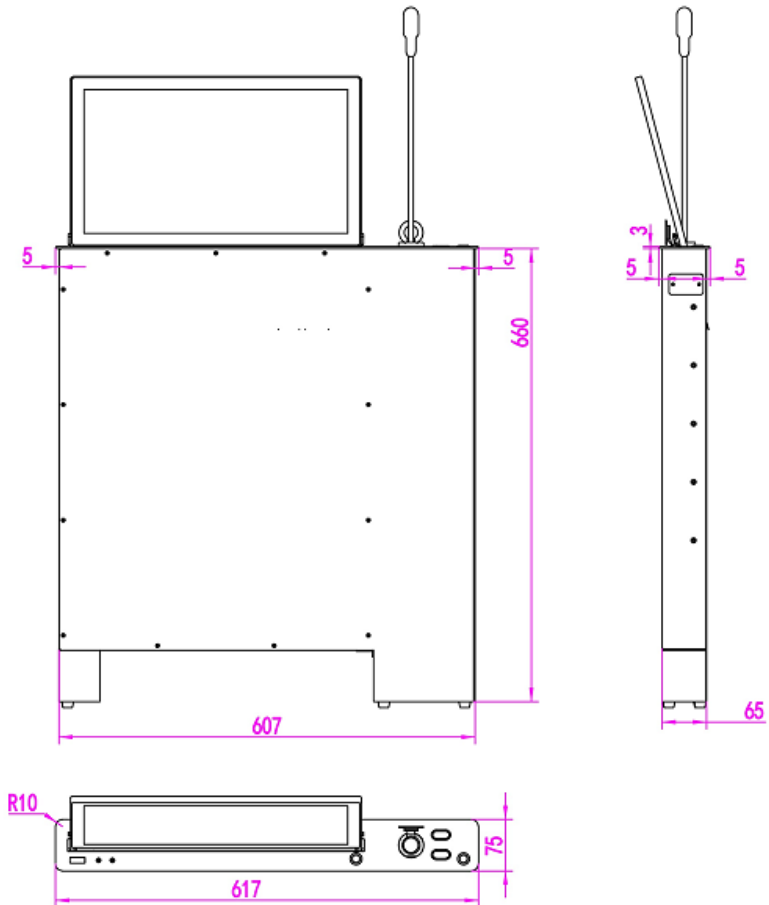
AX-17MG motorized monitor lift is using the synchronous belt

pulley with a straight line for rising and falling, the tilt driver will as a individual part and fixed 16°. Stable structure and low noise, using the aluminum frame match with the toughened glass, more elegant. The product uses the desktop embedded design, could hide in the table perfectly, two motors control the movement of screen and microphone, also auto-calibration movement of microphone protect the gooseneck from damage by performance error.

2.2 Cut out size (for Bosch)



2.3 product size (for Bosch)



2.4 Technical parameters of lifts

NO.	Item	data
1	Voltage	AC 220V 50HZ
2	Power consumption	<45W
3	Single running time	13S

4	Tilting	15° fixed
5	Working temptation	0—50°C

2.5 Technical parameters of display screen

NO.	Item	Data
1	Screen size	15.6
2	Resolution	1920*1080
3	Aspect ratio	16:9
4	Contrast ratio	700:1
5	Brightness	300
6	View angle	85/85/85/85

2. Installation instructions

- Please remove 4 pcs safety screws & remove the foam inside the case before charging (the screws are in the, back, right & left side of cover plate)
- Put the lift into to table cutting hole, and flushing the panel with the table.
- Connect the video signal cable (VGA or HDMI).



-
- Connect the USB touch line, otherwise the touch screen will not work
 - For central control, please connect the RS485.
 - Connect the power, when the light is bright, push the button of “up/fall back” to finish the Automatic elevation process. After that, you could push “up/down” button to adjust the angle as you want.

3. Central control code

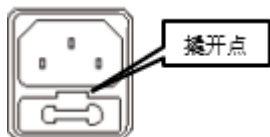
All up	FF AC E1 FF 00 00 DD 01 DC
Stop	FF AC E1 FF 00 00 CD 01 CC
All down	FF AC E1 FF 00 00 ED 01 EC

4. Computer App control

- If required, please contact us for RS485 control software “Multifunctional-Lift Control Center V2.0 _win”。
- Prepare a converter of RS232 to RS485 or USB to RS485, and install the driver, connect all the lift which need to be control
- Download and install the software in English version, log in as admin with pass word 88888888, please adjust the langue and the correct COM after access in.
- Operate the assembly according to the app instruction

5. FAQ and Solutions

No.	Fault phenomenon	Reason
1	NO display	Check the power on or off? Check the signal, is it interrupted?
2	Character ambiguity	Does it match with the computer resolution? Is it the contrast and brightness adjustment correct?
3	Black screen	It would turn off the brightness automatically without signal, Is brightness adjustment minimum? Long press of the "Auto" key may cause shutdown and the indicator to turn red.
4	Invalid touch function	Make sure the USB connection is correct or connect well



5	The indicator is not on	Check if the fuse is damaged. If it is damaged, replace the fuse with 3.15A specification.
---	-------------------------	--

Safety Pipe Location of National Standard Socket

- Subject to change without prior notice, the current production model shall prevail.
- For any enquiry, please contact our service center.