

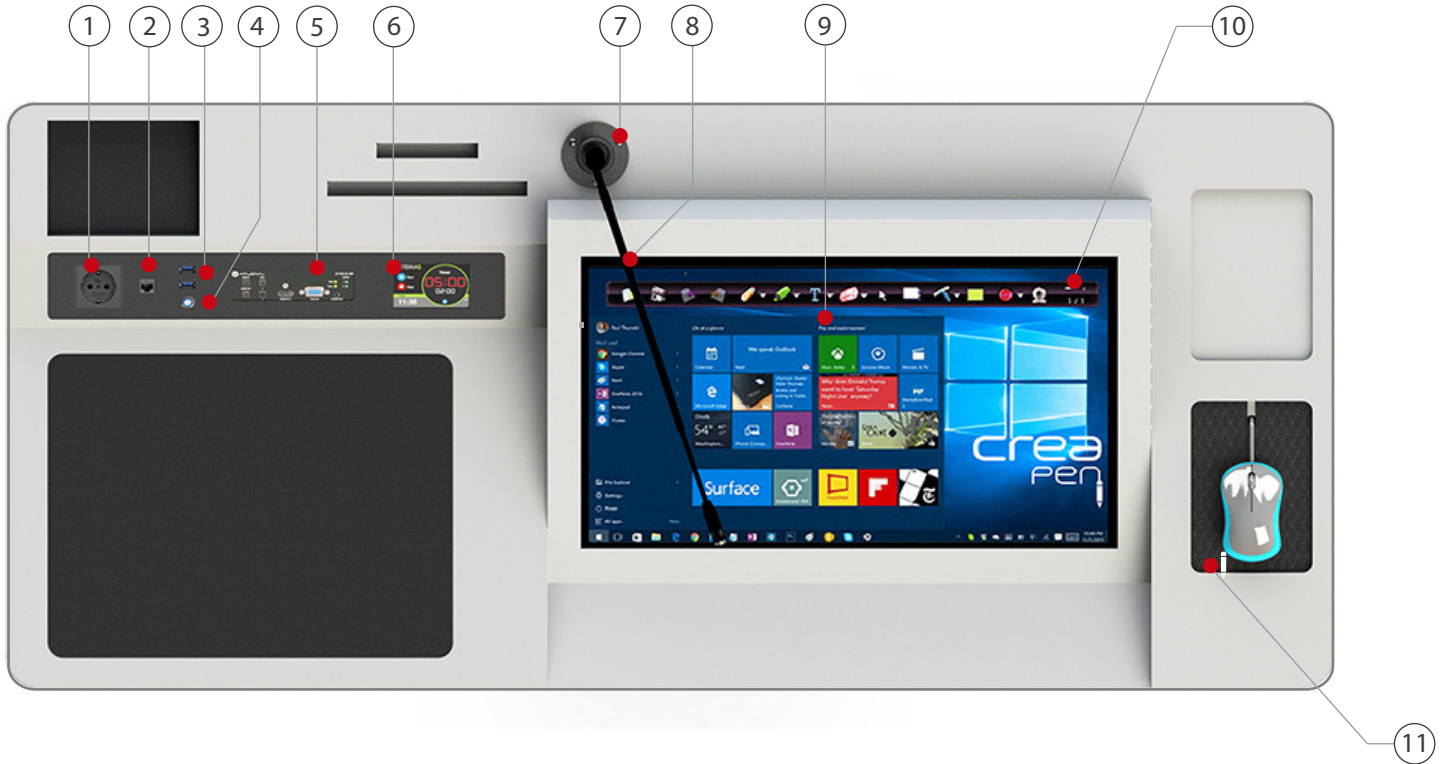
EP22A

DIGITAL PODIUM

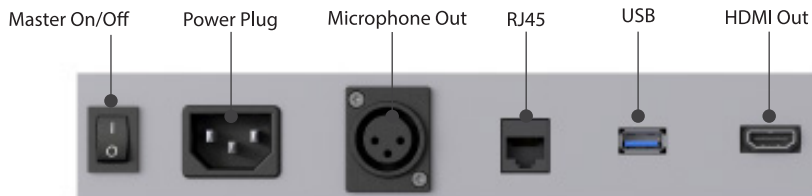


Connectivity

CONNECTIVITY IN



- 1 - Power 220V AC
- 2 - RJ45
- 3 - USB 2.0
- 4 - PC On/Off
- 5 - Switch & Scalar
- 6 - Clock & Timer
- 7 - Shock Mount
- 8 - 18" Microphones
- 9 - 22" Multi Touch Screen
- 10 - Creapen Annotation Software
- 11 - Mouse Drawer



Complex presentations that require multiple additional devices, communication and power ports. AV control panels, EP22A covers all of them. Professional and more technical meetings, conferences and classes are the places for EP22A. Well designed workds areas on top surface allow the speaker to make the meeting rooms, and lecture halls.

EP22A

	EP22A
Multi touch speaker screen	22"
Player PC : Intel 4,10 GHz CPU, 120 GB SSD, Windows 10 Pro	✓
Switch & Scalar (HDMI &VGA in)	✓
Microphone	✓
3,5" Digital Touch Timer	✓
Creapen Annotation Software	✓
Stereo Amplifier	Optional
Speakers	Optional

Speaker Screen

■ iiyama Prolite T22

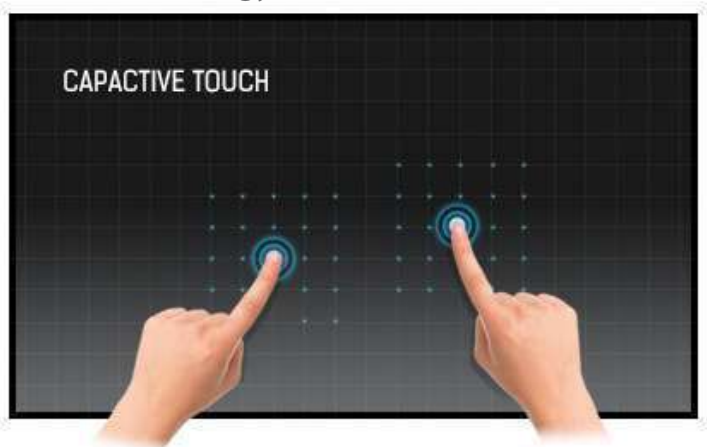


22" 10 point touch monitor with edge-to-edge glass and AMVA panel

With its Full HD (1920x1080) resolution and accurate Projective Capacitive 10 point touch technology, the ProLite T22 delivers seamless and accurate touch response.

The AMVA panel technology guarantees high performance with excellent colour reproduction and high contrast, making it an excellent choice for a vast array of demanding interactive applications.

Touch Technology



This technology uses a sensor-grid of micro-fine wires integrated into the glass that covers the screen. Touch is detected because electrical characteristics of the sensor grid change when human finger is placed on the glass. Thanks to the glass overlay this technology is highly durable, and the touch function remains unaffected even if the glass is scratched.

It offers perfect picture performance and will work with human finger (also latex gloved) and stylus-pen.

Specifications	
Diagonal	21.5"; 55cm
Aspect Ratio	16 : 9
Panel Amva	LED
Native Resolution	Full HD 1080p, 1920 x 1080 (2.1 megapixel)
Brightness	250 cd/m ² typical
Brightness	215 cd/m ² with touch panel
Advanced Contrast	12 000 000 : 1 ACR
Static Contrast	3 000 : 1 with touch panel
Response Time	8 ms
Viewing Zone	horizontal/vertical: 178°/ 178°; right/left: 89°/ 89°; up/down: 89°/ 89°
Display Colour	16.7 million
Blue Light Reducer	yes
Touch Technology	projective capacitive
Touch Points	10
Glass Hardness	7H minimum
Light Transmittance	85%
Display Area	H X W 268.1 x 476.6 mm; 10.6" x 18.8 "
Pixel Pitch	H X V 0.248 x 0.248 mm
Horizontal Sync	30 - 80 KHz
Vertical Sync	56 - 75 Hz
Synchronization	Separate Sync
INTERFACES / CONNECTORS / CONTROLLERS	
Analog Input Connector	VGA
Digital Input Connector	DVI, HDMI
USB HUB	UP 1 x USB 3.0 / DOWN 4 x USB 3.0
Controls	USB (touch), USB 3.0

Front Panel



Rear Panel



Specifications	
Operating System	Windows 10 Pro
Processor	Intel 4,10 GHz CPU
Chipset	Intel H310 Express chipset
Ram	4GB
Video	HDMI x1 + DisplayPort x1 Supported double screens , 4K Play
Storage	120 GB SSD
Audio	2 Channels
Network	2 x 10/100/1000 Gigabit LAN (Intel Chipset), WIFI (Optional)
Ports	4 x USB3.0 - 2 x USB2.0 - 1 x HDMI - 1 x Display Port - 1 x eSATA+USB2.0 COM port 2 x RJ45
Case	Ultra Mini ITX
Power	90W 19V Adapter



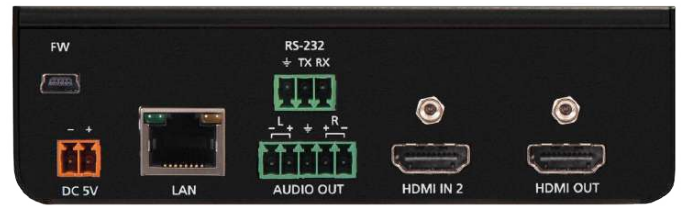
Switch & Scaler

■ Atlona AT-HD-SC-500

Front Panel



Rear Panel



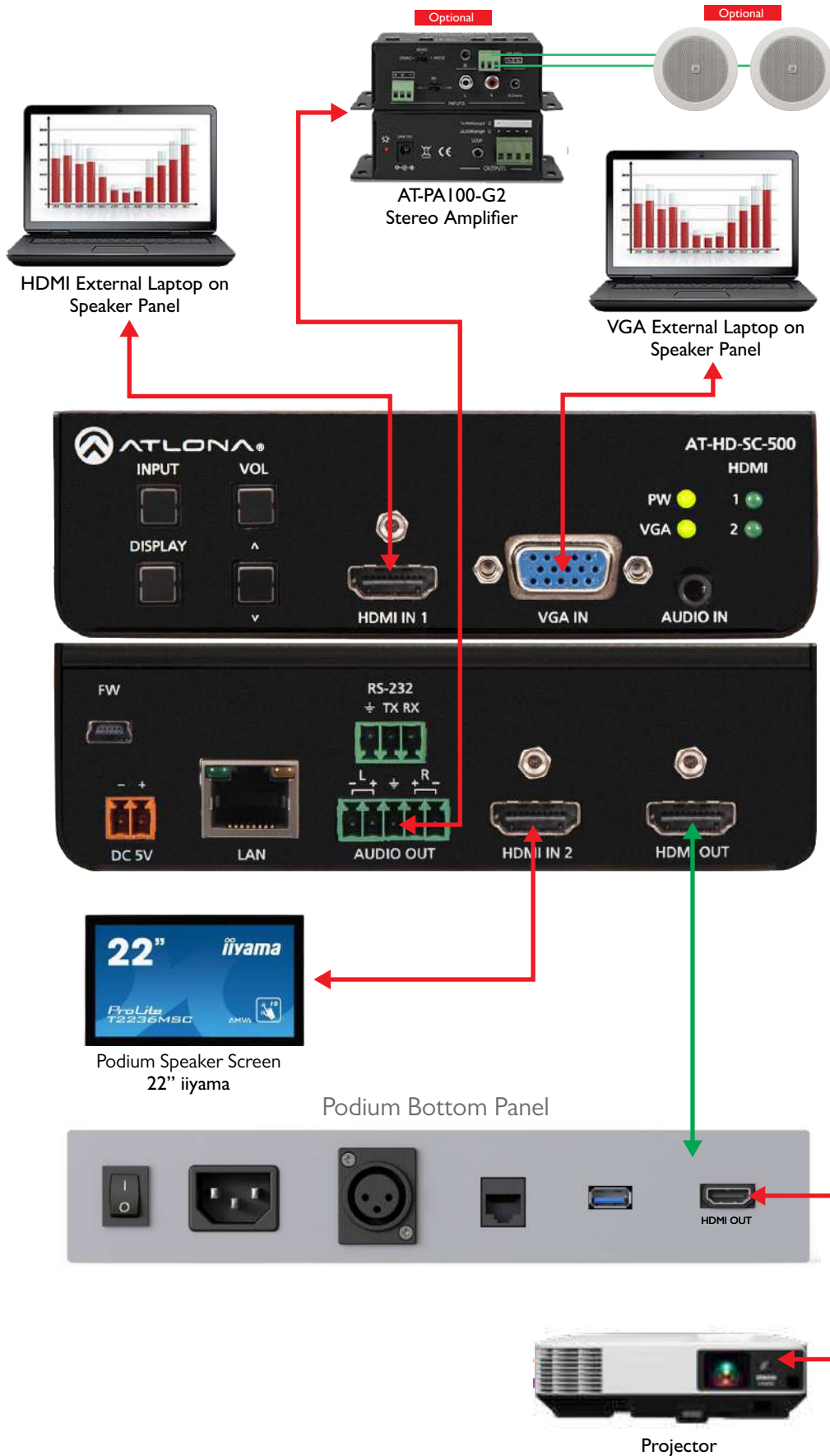
The Atlona AT-HD-SC-500 is a scaler with built-in 3x1 switcher for HDMI and VGA signals. It features two HDMI inputs and a VGA input with 3.5mm audio connector. The scaler is designed to take video signals from switchers, PCs or laptops and scale them to an HDMI output at a wide-range of HDTV and PC resolutions, up to 1080p/60Hz and WUXGA (1920x1200).

For ease of operation, the AT-HD-SC-500 features auto-switching for active input selection when sources are connected or if there is a change in source power status. Input selection can also be controlled from the front panel, RS-232, or TCP/IP commands.

Specifications	
Video IN	1080p@23.98/24/25/29.97/30/50/59.94/60Hz, 1080i@50/59.94/60Hz, 720p@50/59.94/60Hz
Preferred input resolution	800x600, 1024x768, 1280x720, 1280x800, 1366x768, 1920x1080, 1920x1200
Video OUT	1080p@23.98/24/25/29.97/30/50/59.94/60Hz, 1080i@50/59.94/60, 720p@25/29.97/30/50/59.94/60
Color Space	YUV, RGB
Chroma Subsampling	4:4:4, 4:2:2
Color Depth	8-bit, 10-bit, 12-bit
Analog IN	3.5mm stereo jack, -10 dBu nominal input
Analog OUT	Balanced, +4 dBu nominal analog output. Max output +18 dBu
HDMI	Dolby Digital, DTS 5.1, Dolby Digital Plus, Dolby TrueHD, DTS-HD Master Audio, Dolby Atmos
Sample Rate	32kHz, 44.1kHz, 48kHz, 88.2kHz, 96kHz, 176.4kHz, 192kHz
Bit rate	up to 24-bit
Distance HDMI @ 1080p	up to 10 meters up to 30 feet
Signal Bandwidth	6.75 Gbps
CEC HDCP	Switchable - Compliant/Non-compliant
Temperature Operating	0°C to 50°C 32°F to 122°F
Temperature Storage	-20°C to 60°C -4°F to 140°F
Humidity	20 to 90% non-condensing
Power	10.4W
Consumption	Input: AC100-240V ~ 50/60Hz 0.5A
Supply	Output: DC 5V/3.6A

Switch & Scaler

■ Connection



Microphone

Shure 18 CVG18S-B Microphone



Designed with dual gooseneck sections for full articulation, the CVG18 provide scalable, best-in-class performance in a wide variety of locations.

Features

- Cardioid polar pattern with tailored response for speech
- Dual-section gooseneck enables ease of positioning and placement options
- Included Flange Mount and available snap-fit windscreens (ACVG4WS-B – 4 pack)
- With Mute switch/LED,
- Guards against unwanted RF Interference from portable wireless devices gh resistance to intense nearby radio signals
- Superior Shure design and rugged, dependable construction
- Noise by up to 20 dB.

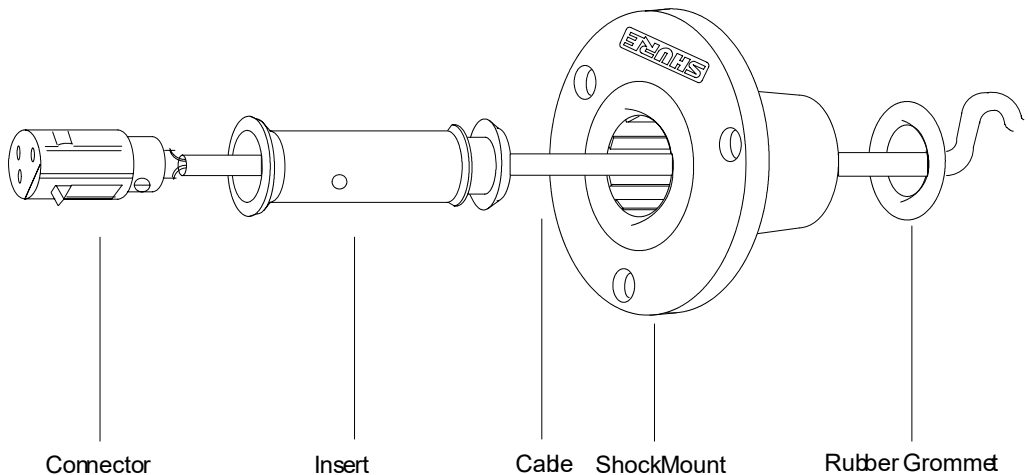
Specifications	
Cartridge Type	Electret Condenser
Frequency Response	70–16000 Hz
Polar Pattern	Cardioid
Output Impedance	180 Ω
Sensitivity (at 1 kHz , open circuit voltage)	–33 dBV/Pa[1] (22 mV)
Maximum SPL (1 kHz at 1% THD)	120 dB SPL
Signal to Noise Ratio (referenced at 94 dB SPL)	67 dB
Dynamic Range	93 dB
Self Noise (equivalent SPL, A-weighted, typical)	27 dB SPL
Common Mode Rejection (10 Hz to 100 kHz)	45 dB
Preamplifier Output Clipping Level (1% THD)	–7 dBV
Polarity	3
Power Requirements	11–52 V DC[4], 2.0 mA



Shure A400SMXLR Shock Mount

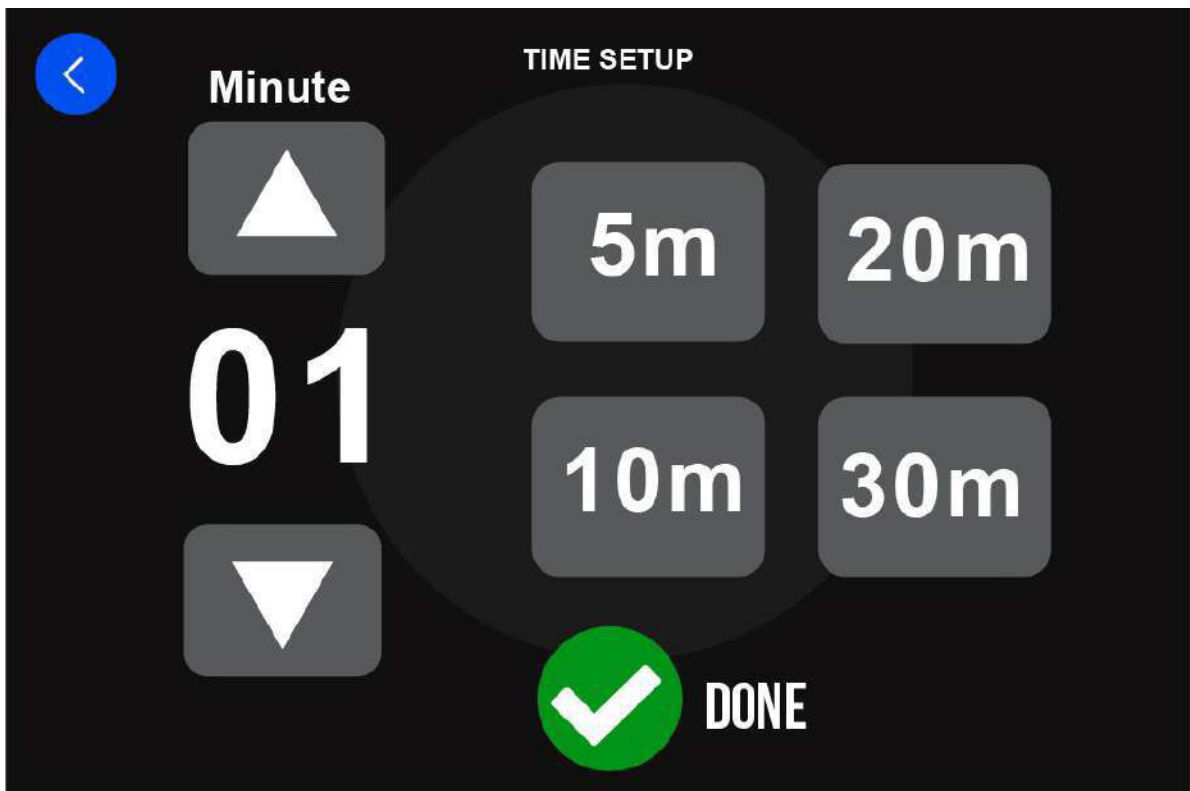
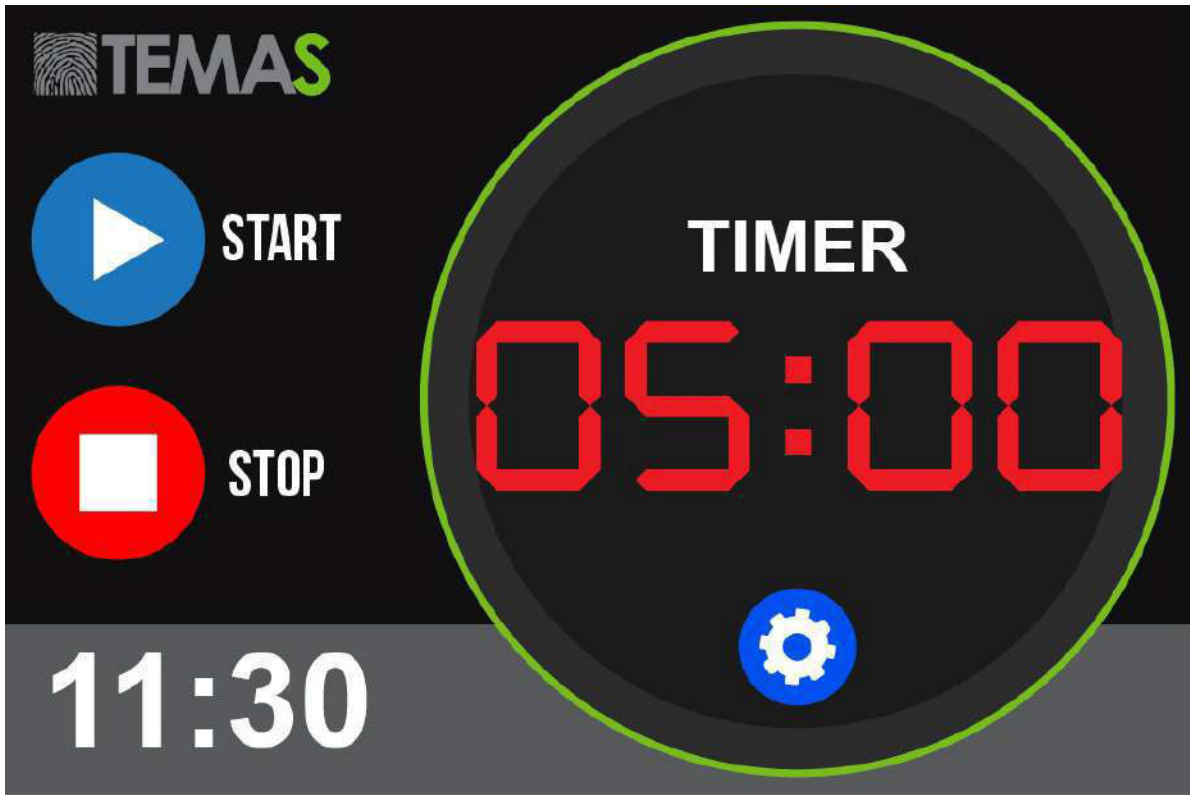
Shure A400SMXLR Shock Mount Socket

A400SMXLR Shock Mount decouples a microphone from the mounting surface and reduces transmission of impact or surface



Application

■ 5" Touch screen Timer & Clock



Application

■ Creapen Software

Screen Annotation & Screen Recording Solution for Presentations

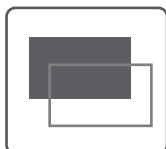
CreaPen is an extremely simple yet powerful screen annotation and recording software. You can easily write on top of any other application that is currently active on the desktop, even on a running video. You can then save your annotations as an image file or even record the whole session as a video for sharing. It is a useful tool for presenters to communicate and share ideas during a live session, for educators to create effective video tutorials and for salespeople to create impressive video presentations.



Text Input



Whiteboard



Multiple Pages



Screen Recording



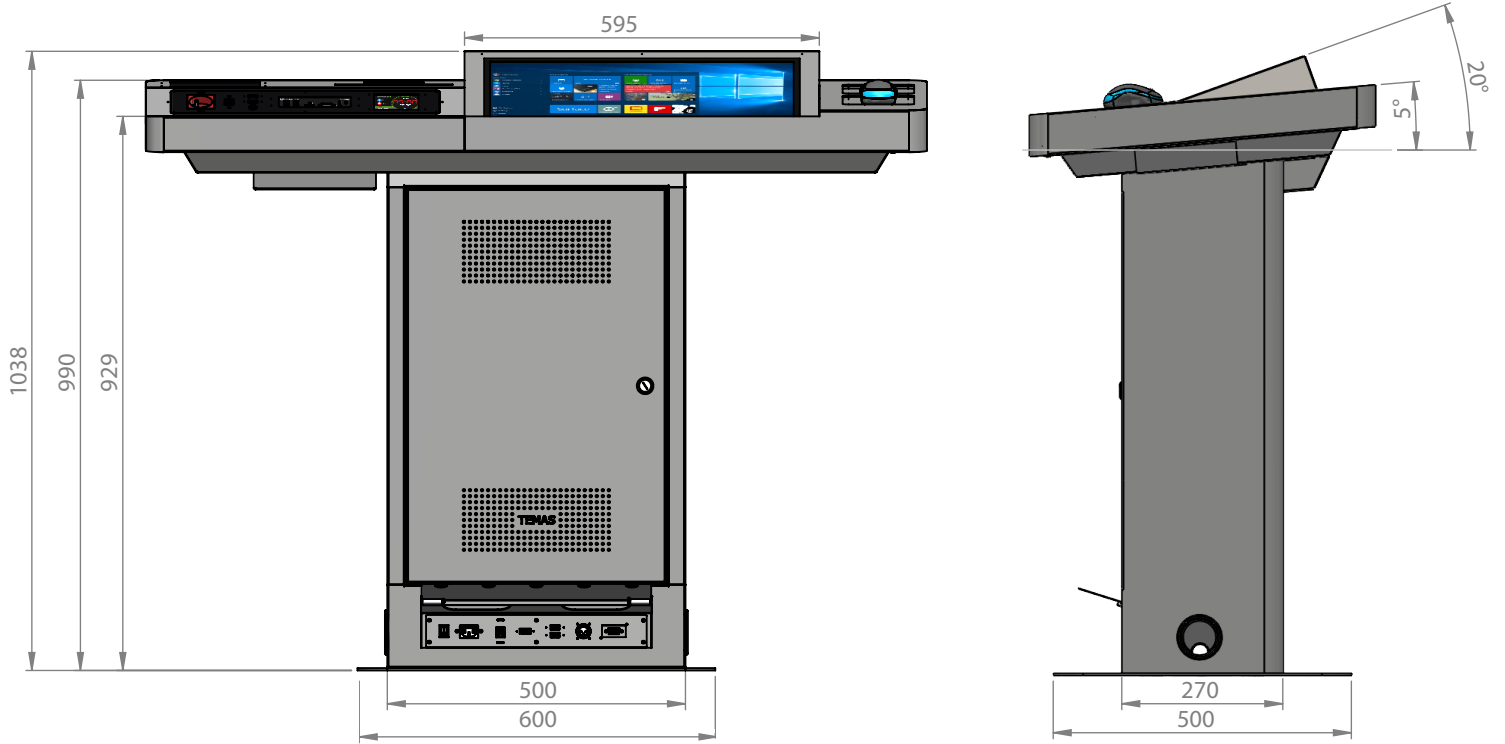
Screen Annotation



Web Camera



MECHANICAL SPECIFICATIONS



■ Technical specifications

	EP22A
■ Lecturer Panel	22"
Screen	
Resolution	1920x1080
Brightness	250 cd/m2
Aspect Ratio	16:9
Number of Touch Point	10 Points Capacitive
Lecturer Panel PC	
CPU	Intel 4,10 GHz CPU
RAM	4 GB
HDD	120 GB SSD
Operation System	Windows 10 Pro
■ Microphone	
Lenght	18"
No of Microphone	1 pcs
Output Connector	3-way XLR(Male)
Microphone Type	Cardioid
Frequency Response	50 - 18 kHz
Power ON Indicator	LED
Power Requirement	Phantom Power (48V)
■ Outputs (Bottom of Podium)	
HDMI	Available (Projector Out)
Ethernet	Network Connection
XLR for Microphone	3-way XLR(Male)
USB	USB 2.0 (for internal PC)
■ Inputs	
VGA	Available (On desk for Laptop)
Sound	3.5mm jak (On desk for Laptop)
HDMI	Available (On desk for Laptop)
Ethernet	Available (On desk for Laptop)
230V Plug (Mx 6A)	Available (On desk for Laptop)
USB	USB 2.0 and USB 3.0
■ Mechanical Specs	
Outline Dimesion(mm)Set	500 x 1310 x 990
Outlibe Dimension(mm)Package	676 x 1256 x 1186
Weight(kg)	Set: 76 kg Package: 117 kg



Temas Technology Co., Ltd.
Esensehir Mahallesi, Basari Sokak, No: 14\1
Yukari Dudullu \ Umraniye \ Istanbul \ TURKEY
Tel +90 216 314 54 54 - Fax +90 216394 44 98
info@temasteknoloji.com.tr - www.temasteknoloji.com.tr